

Type OEVWF

open eaves ventilator with flyscreen

- For open-eaves and non-fascia applications
- Integral fly screening
- All roof pitches accommodated
- Easy regulation compliance
- 10,000mm² and 25,000mm² rating



use

Permits entry of air into the roof space via eaves.

introduction

Preformed ventilator with flyscreen. For use between open eaves, without soffits. Provides ventilation route into the roof space.

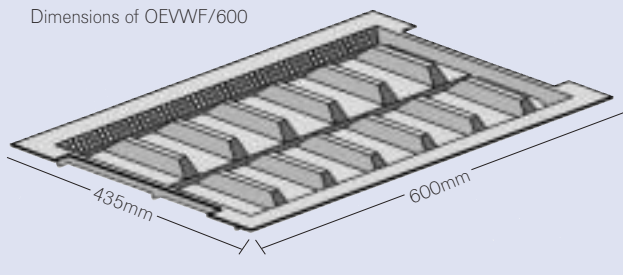
The OEVWF is designed for use with open eaves details. (Cottage-style open-timber detail, with stand-off fascia but no infilling soffit board.) The open eaves ventilator is suitable for use in new-build or re-roofing projects. When located in position, the flyscreen permits air entry whilst promoting insect-resistant status. Manufactured of lightweight rigid PVCU, the open eaves ventilator with flyscreen provides an

economical way of constructing in accordance with Building Regulations.

data

- OEVWF/400 (use with 400mm truss centres).
- PVCU black.
- OEVWF/450 (use with 450mm truss centres).
- OEVWF/600 (use with 600mm truss centres).
- Versions promote a free airflow equivalent exceeding 14,000mm², per metre run.
- Integral flyscreen.
- Compatible with open eaves details.
- Primarily designed for roof pitches above 15°
- Packed in boxes containing 50no.
- Smaller quantities available.

Dimensions of OEVWF/600

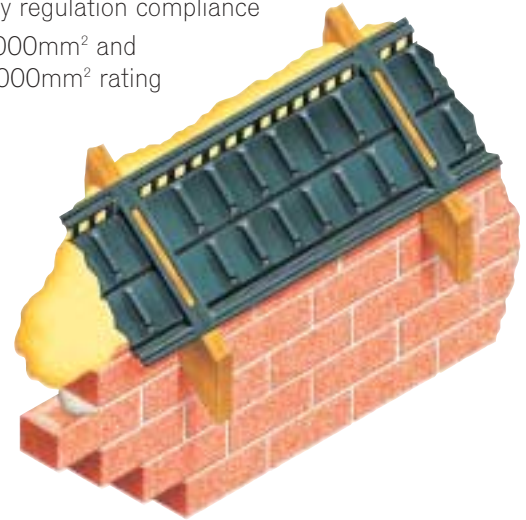


Consider for use where shown. See inside cover for key.

Type OEVWF-25

open eaves ventilator with flyscreen

- For open-eaves and non-fascia applications
- Integral fly screening
- All roof pitches accommodated
- Easy regulation compliance
- 10,000mm² and 25,000mm² rating



use

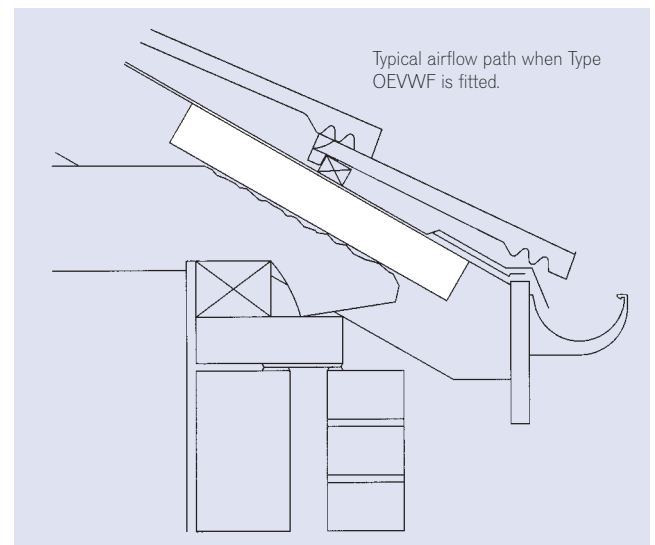
Permits entry of air into the roof space via the eaves.

introduction

The Type OEVWF-25 eaves ventilator is suitable for use with roof pitches below 15 degrees. The 25 designation identifies this product as providing the equivalent of a 25mm continuous air gap. (Equates 25,000 mm² per metre run.) Insect screening is via punched holes in the lower leading edge. Suitable for lower pitched roofs where no soffit is fitted.

data

- Suitable for pitches below 15 degrees.
- PVCU black.
- Available for 600mm truss centres only.
- Compatible with open eaves details
- Integral insect screening
- Packed in boxes containing 50no.
- Smaller quantities available.



Consider for use where shown. See inside cover for key.