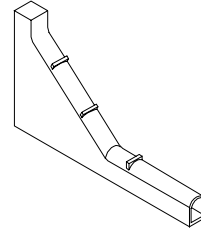
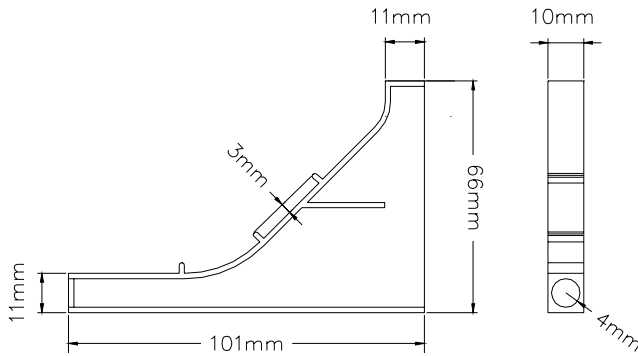


Technical Data Sheet Rytons Rytweep®

www.vents.co.uk CAVITY section

April 2005

Dimensional Drawing

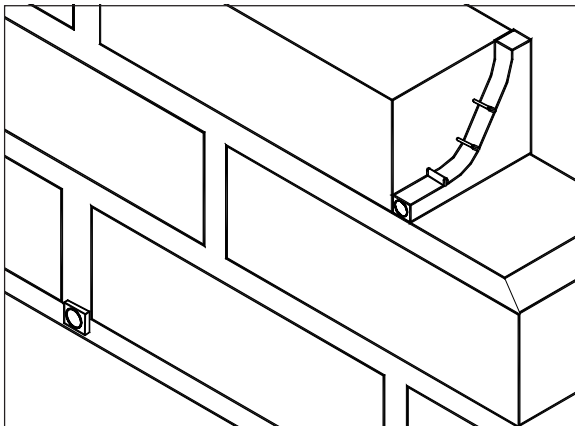


Irish Reg. Stat.

Main Uses, Features and Benefits

- Unobtrusive cavity weep hole.
- Virtually unseen when installed; shows only small weep outlet.
- Lugs aid mortar adhesion.
- Quickly and easily fitted.

In-Situ Line Drawing



F30 Accessories/Sundry Items for Brick/Block/Stone Walling
132 PERPEND JOINT PLASTIC WEEP HOLES

Product Specification Code

Rytons RYTWEEP.

Size

101mm (L) x 66mm (H) x 10mm (W).

R14 AutoCAD drawing available by e-mail.

Free Area

Not applicable.

Composition

High impact polystyrene.

Colours

Buff/sand, terracotta, clear.

Specification Paragraph

Manufacturer:

Rytons Building Products Ltd Tel: 01536 511874 Fax: 01536 310455

Email: admin@rytons.com Web: www.vents.co.uk (updated regularly)

Product ref:

- Rytons Rytweep® Buff/Sand (ref RYTWEBS to BBA 89/2321)

- Rytons Rytweep® Terracotta (ref RYTWETC to BBA 89/2321)

- Rytons Rytweep® Clear (ref RYTWECL to BBA 89/2321)

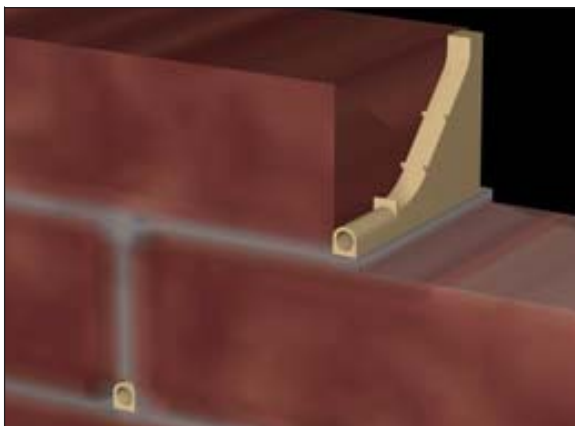
Installation

Installation is fast and easy as work proceeds with a Rytweep® replacing the vertical mortar joint. Once in position build up mortar in front of the Rytweep® until the joint is flush with the brickwork and only the weep outlet is visible (making sure the outlet does not become blocked). Space every fourth brick to drain cavities above and below the dpc and above lintels and cavity trays.

BBA Approval

Rytons has 59 British Board of Agrément approved products; the largest range on the market. BBA certification is third party evaluation and accreditation, and approved products are accepted by building control officers, architects, engineers and surveyors nationwide. The NHBC also accept products approved by the BBA when used as stated in the relevant BBA certificate. Rytons also has an Irish Building Regulation Statement for each of their three BBA certificates.

In-Situ Drawing



Technical Data Sheet

Rytons Rytweep®

www.vents.co.uk CAVITY section

April 2005

Photo Library



On Site



UK Regulations, Standards and Guidelines

British Standards BS 5628-3:2001 and BS 8215

Recommend weepholes spaced at no greater than 1m intervals and no less than two weepholes over each opening.

NHBC Standards Chapter 6.1

Recommends weepholes spaced at a maximum of 450mm centres and no less than two weep holes should be provided over lintels and openings. The NHBC also recommend that any wall that supports ground should be drained to relieve water pressure.

The Building Regulations Approved Document C Internal and external walls (moisture from the ground)

5.5 If the wall is an external wall, the damp-proof course should be at least 150mm above the level of the adjoining ground. If the wall is an external cavity wall provide weep holes every 900mm to assist in the transfer of moisture through the external leaf. Where the damp-proof tray does not extend the full length of the exposed wall, i.e. above an opening, stop ends and at least two weep holes should be provided.

Zurich Building Guarantees Technical Manual 'solid foundation'

In external masonry wall openings, cavity trays should be adequately drained through weepholes spaced not more than 1m (or 4 bricks) apart, with at least two per opening. In external timber frame walls weepholes should be provided to external masonry above all lintels and cavity trays.

Questions

Is the Rytweep® suitable for exposed areas and wind driven rain?

Yes, but you may wish to consider Rytons Weep Hole Duct which is also a purpose made weep hole and has a fully closed front (see data sheet [dswhd](#)).

From NHBC Technical 04/02

On fully rendered masonry walls, do cavity trays need to be provided over openings? If so do they require weepholes and stop ends?

Wind driven rain may penetrate masonry through minor cracks, around openings, and at architectural details. Cavity trays with stop ends are required over all openings. Weepholes do not need to be provided where masonry walls are fully rendered.

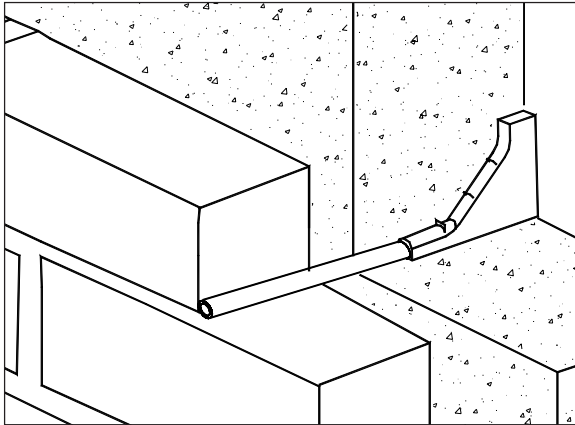
Technical Data Sheet

Rytons Rytweep®

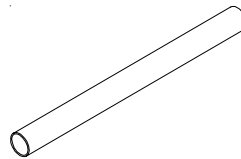
www.vents.co.uk CAVITY section

April 2005

In-Situ Line Drawing (Rytons Rytweep® with Tube)



Rytons Rytweep® Tube



Main Uses, Features and Benefits

- Extension for blockwork and rendered walls.
- Push fit into Rytons RYTWEEP.
- Easily cut to length.

Product Specification Code

Rytons RYTWTUBE.

Size

1000mm (L) x 6mm (Internal Dia.) x 8mm (External Dia.).

Free Area

Not applicable.

Composition

High quality plastic.

Colours

Clear.

Installation

Cut tube to length required and insert into external weep outlet. Install whole unit as directed in Rytweep® installation instructions.